

Etabloc, Etanorm-R, Etachrom – Standardised pumps with PumpDrive



Applications:

- Water supply
- Fire-fighting systems
- Spray irrigation
- Irrigation and drainage
- Heating, Airconditioning
- Drinking water
- Industrial water
- Hot water, cooling water
- Swimming-pool water
- Seawater
- Fire-fighting water
- Brackish water
- Condensate
- Brine
- Oils
- Cleaning agents

More information:

www.ksb.com/products

Etabloc with PumpDrive

Your contact



Etanorm R



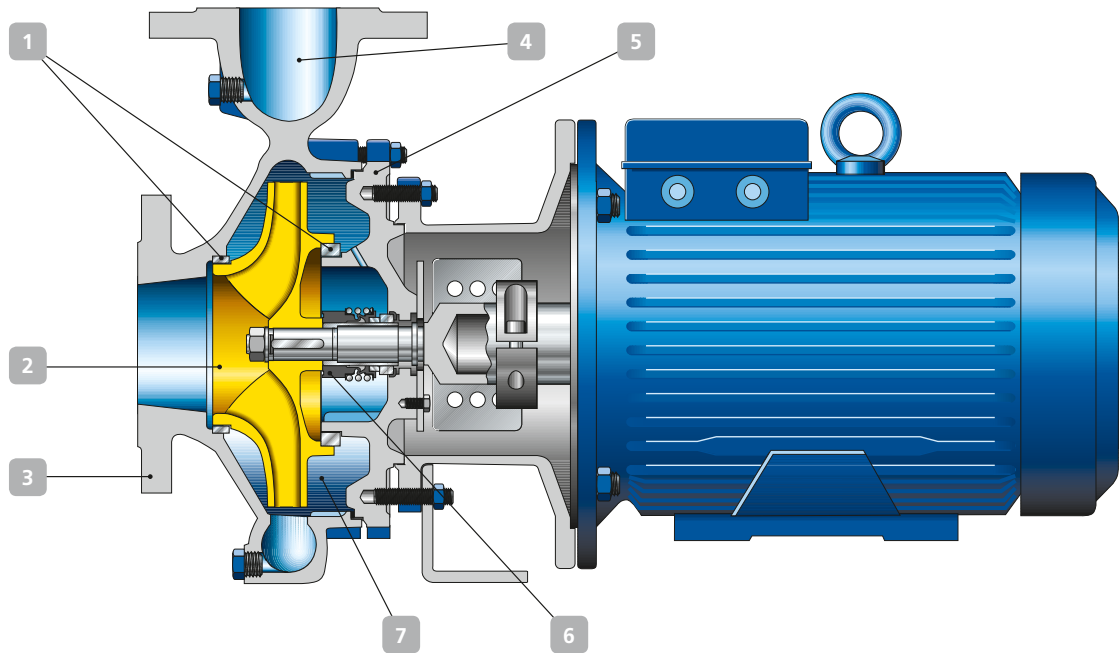
Etachrom BC
with PumpDrive



Etabloc with PumpMeter
and PumpDrive

Form area for contact information, consisting of a large empty rectangular box with corner brackets.

Etabloc, Etanorm-R, Etachrom – Standardised pumps with PumpDrive



- 1 Service-friendly and wear-resistant**
Replaceable wear rings
- 2 Energy-saving**
Optimised hydraulics with high efficiency
- 3 Versatile**
Wide selection of materials for all fields of application
- 4 Standard-compliant**
Connecting dimensions and ratings as per EN 733
- 5 Easy to dismantle**
Back pull-out design: pump casing remains in the pipeline
- 6 Economical and maintenance-free**
Uncooled shaft seal, no cooling water required
- 7 Reliable**
Rated up to 16 bar
- Durable**
Sturdy bearing assembly

Materials (optional)	
Etabloc Etanorm-R	Etachrom
Grey cast iron JL 1040 Bronze CC480K-GS Nodular cast iron JS 1025 Stainless steel 1.4408	Stainless steel 1.4571

Technical data (50 Hz)	Etabloc	Etachrom	
Capacity	Up to 660	Up to 260	m ³ /h
Head	Up to 102	Up to 106	m
Fluid temperature	-30 to +140	-30 to +110	°C
Pump end pressure	Up to 16	Up to 12	bar
Automation available: PumpDrive, PumpMeter, Hyamaster			



KSB Aktiengesellschaft
 Johann-Klein-Straße 9
 67227 Frankenthal (Germany)
 www.ksb.com