
Latest edition?

The Service Kit Catalogue is only reprinted at long intervals. If you require the latest edition, please refer to service documentation in WebCAPS which is updated on a more regular basis.

Sources of product documentation

In addition to the printed Service Kit Catalogue, Grundfos offers the following sources of product documentation

- WinCAPS
- WebCAPS

WinCAPS

WinCAPS is a **Windows-based Computer Aided Product Selection** programme containing information on more than 185,000 Grundfos products.

WinCAPS is available on CD-ROM in more than 20 languages.

WinCAPS offers

- service parts
- detailed technical information
- selection of an optimum pump solution
- dimensional drawings of each pump
- detailed service documentation
- installation and operating instructions
- wiring diagrams of each pump.

WebCAPS

WebCAPS, **Web-based Computer Aided Product Selection**, is a web-version of WinCAPS.

WebCAPS is available on the Grundfos homepage, www.grundfos.com

WebCAPS offers

- service parts
- detailed technical information
- dimensional drawings of each pump
- wiring diagrams of each pump
- data booklets
- installation and operating instructions
- service videos
- service documentation
- CAD drawings (2- and 3-dimensional)
- product brochures
- case histories
- system guides
- system and concept brochures.

Shaft seal

Shaft seal

The stamping code (variant code) of mechanical shaft seals is stamped on the pump nameplate. Indicated in the last position of the type designation, the stamping code consists of four letters.

Example	A	U	U	E
Grundfos type designation (1)				
Material of rotating face (2)				
Material of stationary seat (3)				
Material of secondary seal (4)				

Position 1 codes

Position 1 of the mechanical shaft seal variant code shows the Grundfos type designation.

The following codes can be shown in position 1:

Code	Description
A	O-ring seal with fixed seal driver
B	Bellows seal, rubber
C	O-ring seal with spring as seal driver
D	O-ring seal, balanced
E	O-ring seal, type A, cartridge
F	Bellows seal, type B, cartridge
G	Bellows seal, type B, with reduced seal faces
H	O-ring seal, type D, cartridge
K	Bellows seal, metal, type M, cartridge
M	Bellows seal, metal
O	Double seal, back-to-back
P	Double seal, tandem
Q	Seal with flush, quench seal
R	O-ring seal, type A, with reduced seal faces
S	Stuffing box
T	Floating gap seal
X	Miscellaneous

Positions 2 and 3 codes

Positions 2 and 3 of the mechanical shaft seal variant code show materials of rotating face and stationary seat.

The following codes can be shown in positions 2 and 3:

Code	Material
A	Carbon, metal-impregnated
B	Carbon, resin-impregnated
H (B/U)	Synthetic carbon Carbon with embedded tungsten carbide (hybrid)
C	Other carbons
D	Steel
N	Metals Bronze
S	Cast chromium steel
U	Tungsten carbide, chromium-nickel-molybdenum-bonded
Q	Carbides Q ₁ ^S : Dense, sintered, fine-grained silicon carbide (SiC) Q ₁ ^P : Porous, sintered, fine-grained silicon carbide (SiC) Q ₁ ^G : Graphite-containing, sintered silicon carbide (SiC)
V	Metal oxides Ceramic (aluminium oxide)

Position 4 codes

Position 4 of the mechanical shaft seal variant code shows the secondary seal material.

The following codes can be shown in position 4:

Code	Material
E	EPDM
F	FXM (Fluoraz [®])
V	FKM (Viton [®])
K	FFKM (Kalrez [®])
M	PTFE-sheathed O-ring
P	NBR (nitrile rubber)
S	Q (silicone rubber)
T	PTFE (Teflon [®])
X	Other elastomers

Shaft seal kit

Pos.	Kit No	395008	985726	395091	985720	96765115
	Description	CVBV	AQBK	AUUV	AUUK	AQQV
37a	Gasket	1	1	1	1	1
105	Shaft seal complete	1	1	1	1	1

Wear parts kit

Pos.	Kit No	395090	395089
	Number of stages	1-8	9-23
	Description		
4a	Bearing chamber	1	3
9	Coupling screw	4	4
10	Coupling pin	1	1
36	Nut	2	2
37a	Gasket	1	1
45	Neck ring	7	21
47a	Bearing ring	1	3
61	Spacer	1	1
62	Stop ring	1	1
66	Washer	1	1
66a	Washer	2	2
67	Lock nut	1	1

Coupling complete

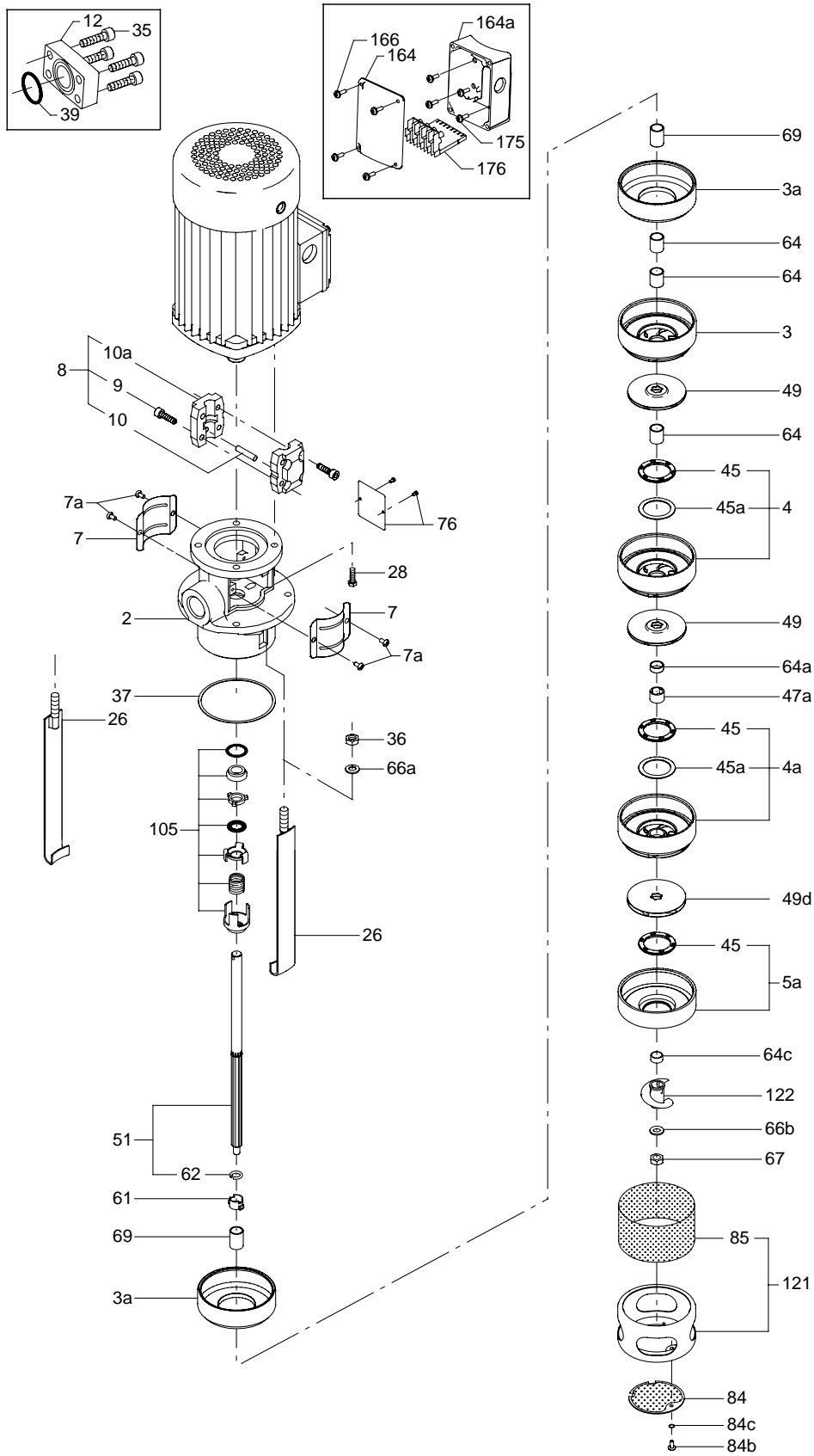
Pos.	Kit No	495081	415060	415061	415314
	Motor/pump shaft diameter [mm]	11/12	14/12	19/12	15.8/12
	Description				NEMA
8	Coupling half	2	2	2	2
9	Screw	4	4	4	4
10	Pin	1	1	1	1

Metal terminal box kit

All with MG 71/80 motor	
Pos.	Kit No
	Description
	405179
164a	Terminal box with gasket
164	Terminal box cover with gasket
166	Screw
175	Screw
176	Terminal complete

Rectangular flange kit

Pos.	Kit No
	Description
	395104
12	Flange
39	O-ring
35	Screw



Shaft seal kit

Kit No	395008	985726	395091	985720	96765115
Description	CVBV	AQBK	AUUV	AUUK	AQQV
37a Gasket	1	1	1	1	1
105 Shaft seal complete	1	1	1	1	1

Wear parts kit

Number of impellers	1	2-3	5	7-9	12-15	9
		incl.	excl.	excl.		
		SPK 8-5/5	SPK 8-5/5	SPK 8-12/9		SPK 8-12/9
Pos.	Only pump length L = 1005 mm		SPK 8-15/2-3		SPK 8-15/5-15	
Kit No	395093	395094	395095	395096	395097	395098
Number of stages	1-15	2-15	7-15	7-15	12-15	12
Description						
4a Bearing chamber	1	1	2	2	3	3
9 Coupling screw	4	4	4	4	4	4
10 Coupling pin	1	1	1	1	1	1
36 Nut	2	2	2	2	2	2
37a Gasket	1	1	1	1	1	1
45 Neck ring	1	4	4	7	12	13
47a Bearing ring	1	1	2	2	3	3
61 Spacer	1	1	1	1	1	1
62 Stop ring	1	1	1	1	1	1
66 Washer	1	1	1	1	1	1
66a Washer	2	2	2	2	2	2
67 Lock nut	1	1	1	1	1	1

Coupling complete

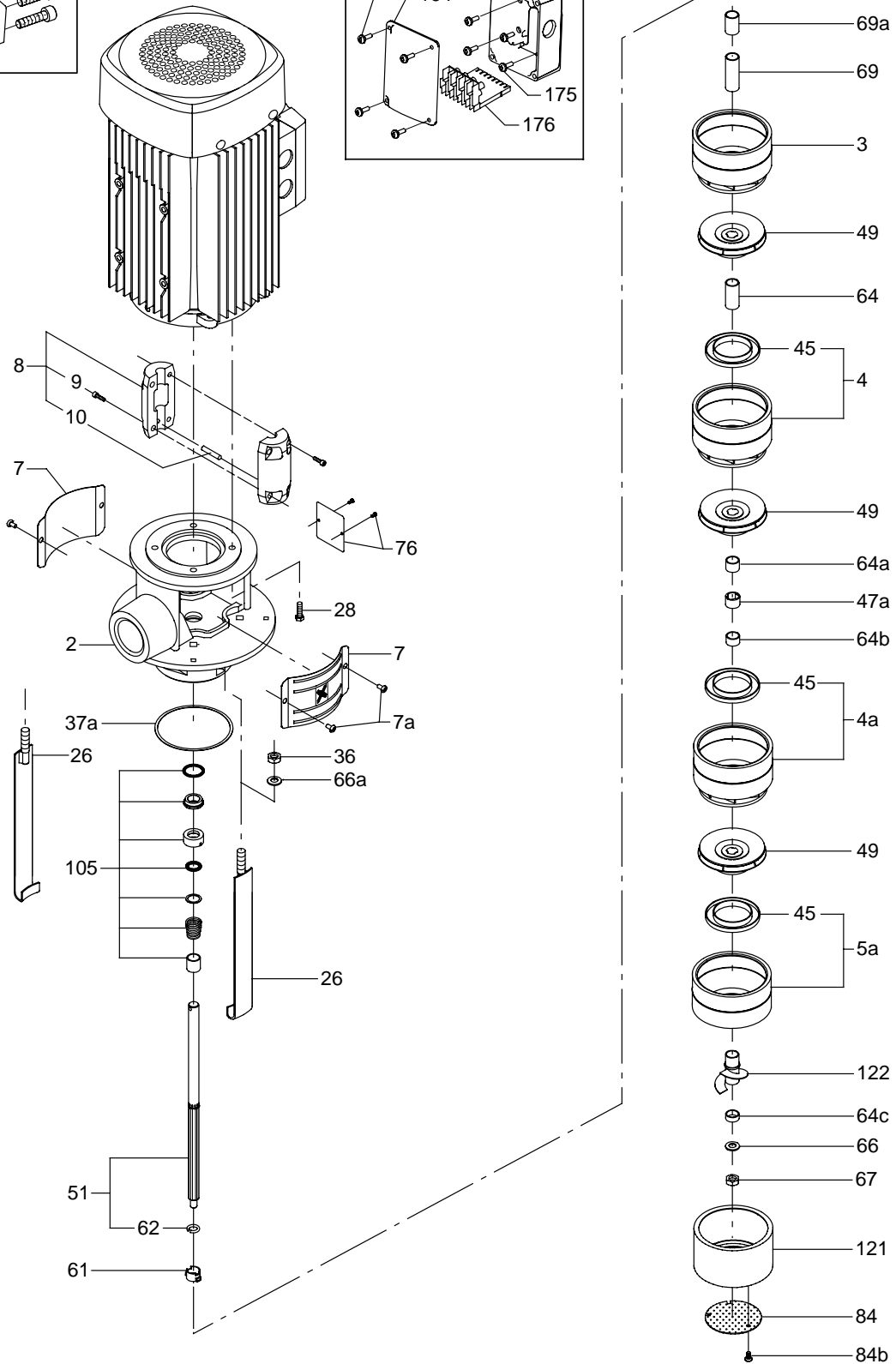
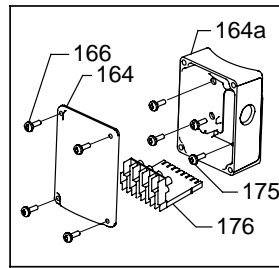
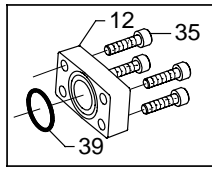
Kit No	415078	415079	415062	415314	415315
Motor/pump shaft diameter [mm]	14/12	19/12	24/12	15.8/12	28.5/12
Description	NEMA				
8 Coupling half	2	2	2	2	2
9 Screw	4	4	4	4	4
10 Pin	1	1	1	1	1

Metal terminal box kit

All with MG 71/80 motor	
Pos.	Kit No
405179	
Description	
164a Terminal box with gasket	1
164 Terminal box cover with gasket	1
166 Screw	4
175 Screw	4
176 Terminal complete	1

Rectangular flange kit

Pos.	Kit No
405178	
Description	
12 Counter flange	1
39 O-ring	1
35 Screw	4



TM02 5311 2502