



**MULTIGO IN-LINE**



**EBARA**

**Vertical Multistage Centrifugal Pump**  
**MULTIGO IN-LINE**

# MULTIGO IN-LINE

These vertical multistage centrifugal pumps are particularly silent running. The motor is cooled by the flow of water being handled, which flows over the motor casing. The liquid passes through an innerspace which encloses the whole pump, also dampening the vibrations caused by the hydraulic action. They are also fitted with a double mechanical seal with a chamber between them containing a lubricating liquid, assuring long life.

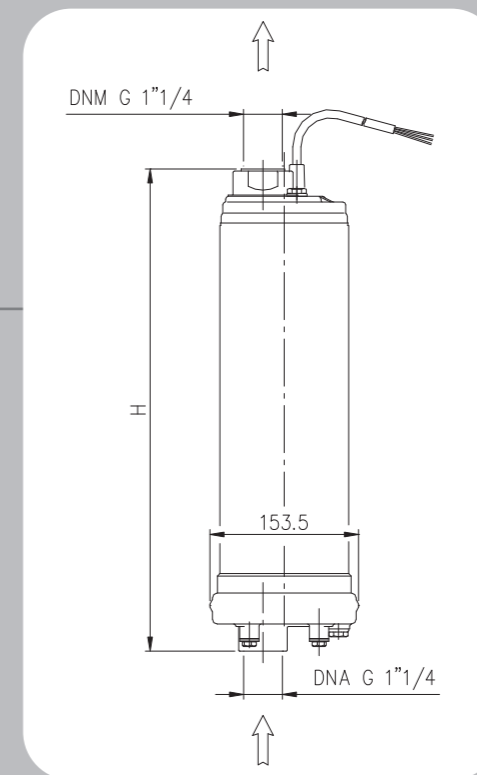
## MAIN FEATURES

- Designed with the most advanced and sophisticated engineering and industrial design systems
- Extremely quiet and reliable pumps
  - In-Line design suitable for a wide range of applications
  - Impeller and diffuser in technopolymer, pump casing and casing cover in AISI 304
  - Double mechanical seal lubricated on both sides
- “Applied” in EBARA’S CABINET BOOSTER, compact single-phase innovative booster set



## APPLICATIONS

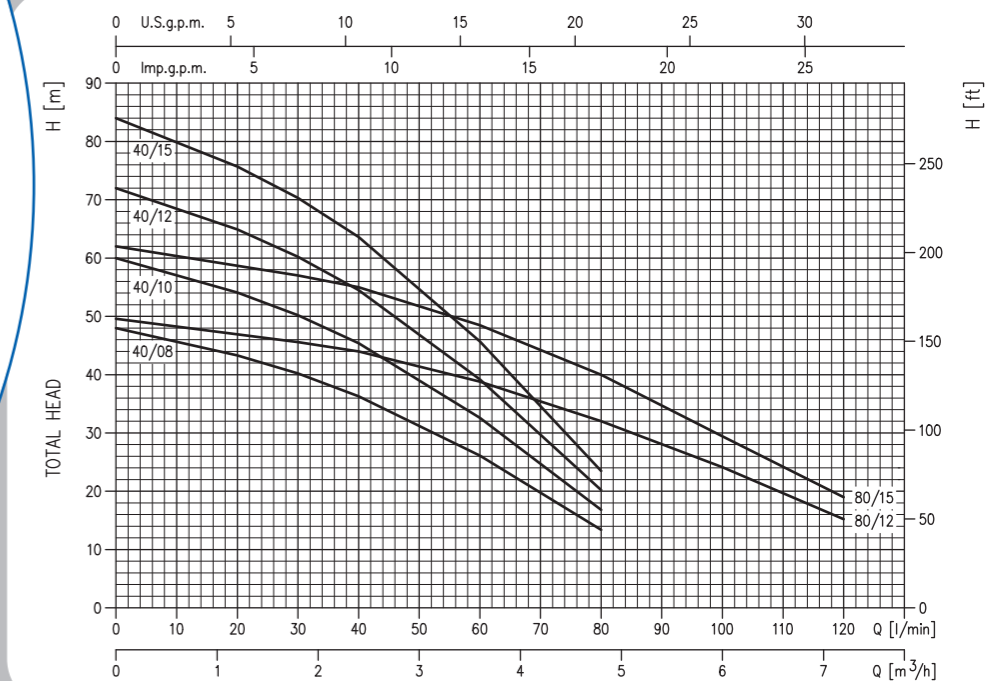
- Pressure boosting in domestic and community systems, where silent operation are required
- Handling of liquids in a reliable and silent way in places subject to flooding
  - Supplying fountains and dancing water features
  - Sprinkler irrigation of small vegetable patches and gardens



## DIMENSIONAL TABLE

Model	H [mm]	Weight [kg]
1~	1~	1~
MULTIGO M 40/08 IN-LINE	501	13,4
MULTIGO M 40/10 IN-LINE	527	14,4
MULTIGO M 40/12 IN-LINE	578	14,8
MULTIGO M 40/15 IN-LINE	604	16,4
MULTIGO M 80/12 IN-LINE	527	14,8
MULTIGO M 80/15 IN-LINE	552	16,1

## PERFORMANCE CURVES (according to ISO 9906 Annex A)



## PERFORMANCE TABLE

Model	kW	HP	Capacitor		Abs. curr. [A]	Q=Capacity						
			µF	V <sub>c</sub>		H=Total Head [m]						
						l/min	20	30	40	60	80	100
MULTIGO M 40/08 IN-LINE	0,6	0,8	16	450	4,3	43,3	40,2	36,3	26,1	13,4	-	-
MULTIGO M 40/10 IN-LINE	0,75	1	20	450	5,7	54,1	50,2	45,4	32,6	16,8	-	-
MULTIGO M 40/12 IN-LINE	0,9	1,2	20	450	6,8	64,9	60,2	54,5	39,2	20,2	-	-
MULTIGO M 40/15 IN-LINE	1,1	1,5	31,5	450	7,3	75,7	70,3	63,6	45,7	23,5	-	-
MULTIGO M 80/12 IN-LINE	0,9	1,2	20	450	6,4	-	45,6	44	38,8	32	23,2	15,2
MULTIGO M 80/15 IN-LINE	1,1	1,5	31,5	450	7,5	-	57	55	48,5	40	28	19

[www.ebara.eu](http://www.ebara.eu)



EBARA PUMPS EUROPE S.p.A. reserves the right to make modifications without prior notice: all specifications could be subject to change.



**EBARA PUMPS EUROPE S.p.A.**

Via Pacinotti, 32  
36040 Brendola (VICENZA), Italy  
Phone +39 0444 70681 1  
Fax +39 0444 706950  
[www.ebara.eu](http://www.ebara.eu)  
[marketing@ebara.eu](mailto:marketing@ebara.eu)

**EBARA PUMPS UK LIMITED**

Unit 7- Zodiac Business Park  
High Road - Cowley  
Uxbridge  
Middlesex UB8 2 GU, United Kingdom  
Phone +44 1895 439027  
Fax +44 1895 439028

**EBARA ESPAÑA BOMBAS S.A.**

C/Cormoranes 6 y 8  
Poligono La Estación  
28320 Pinto (Madrid), Spain  
Phone +34 916 923 630  
Fax +34 916 910 818

**EBARA FRANCE**

Immeuble Maille Nord II  
8 avenue Montaigne  
93160 Noisy Le Grand, France  
Phone +33 155851616  
Fax +33 155851639

**EBARA PUMPEN**

Philipp-Reis - Str. 15  
63128 Dietzenbach, Germany  
Phone +49 6074 82790  
Fax +49 6074 827942

**EBARA POMPY POLSKA Sp. z o.o.**

ul. Minska 63  
03-828 Warszawa, Poland  
Phone +48 22 3308118  
Fax +48 22 3308119