

---

## Latest edition?

The Service Kit Catalogue is only reprinted at long intervals. If you require the latest edition, please refer to service documentation in WebCAPS which is updated on a more regular basis.

## Sources of product documentation

In addition to the printed Service Kit Catalogue, Grundfos offers the following sources of product documentation

- WinCAPS
- WebCAPS

### WinCAPS

WinCAPS is a **Windows-based Computer Aided Product Selection** programme containing information on more than 185,000 Grundfos products.

WinCAPS is available on CD-ROM in more than 20 languages.

WinCAPS offers

- service parts
- detailed technical information
- selection of an optimum pump solution
- dimensional drawings of each pump
- detailed service documentation
- installation and operating instructions
- wiring diagrams of each pump.

### WebCAPS

WebCAPS, **Web-based Computer Aided Product Selection**, is a web-version of WinCAPS.

WebCAPS is available on the Grundfos homepage, [www.grundfos.com](http://www.grundfos.com)

WebCAPS offers

- service parts
- detailed technical information
- dimensional drawings of each pump
- wiring diagrams of each pump
- data booklets
- installation and operating instructions
- service videos
- service documentation
- CAD drawings (2- and 3-dimensional)
- product brochures
- case histories
- system guides
- system and concept brochures.

# Shaft seal

## Shaft seal

The stamping code (variant code) of mechanical shaft seals is stamped on the pump nameplate. Indicated in the last position of the type designation, the stamping code consists of four letters.

Example	A	U	U	E
Grundfos type designation (1)				
Material of rotating face (2)				
Material of stationary seat (3)				
Material of secondary seal (4)				

## Position 1 codes

Position 1 of the mechanical shaft seal variant code shows the Grundfos type designation.

The following codes can be shown in position 1:

Code	Description
A	O-ring seal with fixed seal driver
B	Bellows seal, rubber
C	O-ring seal with spring as seal driver
D	O-ring seal, balanced
E	O-ring seal, type A, cartridge
F	Bellows seal, type B, cartridge
G	Bellows seal, type B, with reduced seal faces
H	O-ring seal, type D, cartridge
K	Bellows seal, metal, type M, cartridge
M	Bellows seal, metal
O	Double seal, back-to-back
P	Double seal, tandem
Q	Seal with flush, quench seal
R	O-ring seal, type A, with reduced seal faces
S	Stuffing box
T	Floating gap seal
X	Miscellaneous

## Positions 2 and 3 codes

Positions 2 and 3 of the mechanical shaft seal variant code show materials of rotating face and stationary seat.

The following codes can be shown in positions 2 and 3:

Code	Material
A	Carbon, metal-impregnated
B	Carbon, resin-impregnated
H (B/U)	Synthetic carbon Carbon with embedded tungsten carbide (hybrid)
C	Other carbons
D	Steel
N	Metals Bronze
S	Cast chromium steel
U	Tungsten carbide, chromium-nickel-molybdenum-bonded
Q	Carbides Q <sub>1</sub> <sup>S</sup> : Dense, sintered, fine-grained silicon carbide (SiC) Q <sub>1</sub> <sup>P</sup> : Porous, sintered, fine-grained silicon carbide (SiC) Q <sub>1</sub> <sup>G</sup> : Graphite-containing, sintered silicon carbide (SiC)
V	Metal oxides Ceramic (aluminium oxide)

## Position 4 codes

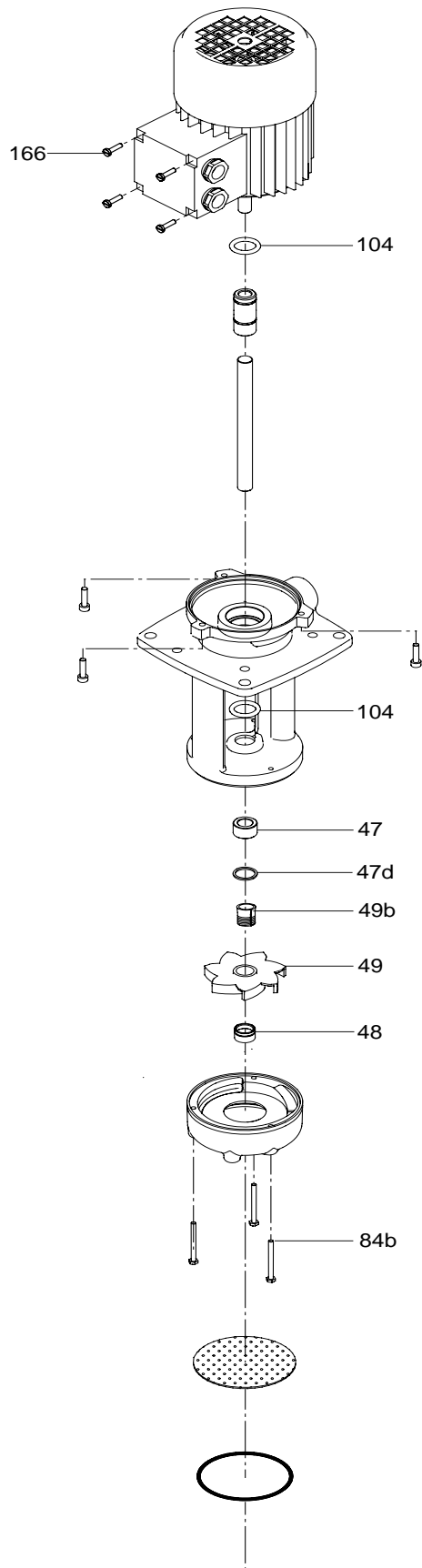
Position 4 of the mechanical shaft seal variant code shows the secondary seal material.

The following codes can be shown in position 4:

Code	Material
E	EPDM
F	FXM (Fluoraz <sup>®</sup> )
V	FKM (Viton <sup>®</sup> )
K	FFKM (Kalrez <sup>®</sup> )
M	PTFE-sheathed O-ring
P	NBR (nitrile rubber)
S	Q (silicone rubber)
T	PTFE (Teflon <sup>®</sup> )
X	Other elastomers

## Wear parts kit

Pos.	Description	MTA 3	MTA 4
	Kit No	96432596	96432597
49	Impeller	1	1
49b	Split cone	1	1
48	Split cone nut	1	1
47	Bearing	1	1
47d	Retaining ring	1	1
105	O-ring	2	2
84b	Hexagon socket head screw	3	3
166	Screw	4	4



## Wear parts kit

Pos.	Description / kit No	96432598
28	Hexagon socket head screw	3
47	Bearing	2
47d	Retaining ring	1
48	Split cone nut	2
49	Impeller	2
49b	Split cone	2
84b	Hexagon socket head screw	3
105	Diverting disc	2

