

Horizontal centrifugal multistage pumps suitable for pressure boosting systems, car washing, small garden irrigation and general clean water pumping.



### SPECIFICATIONS

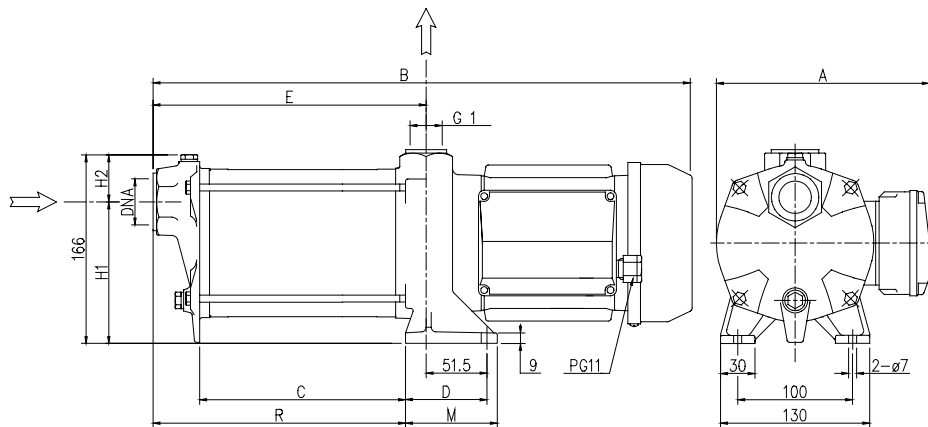
- Maximum working pressure: 10 bar
- Maximum liquid temperature: 40°C

### MATERIALS

- Pump body and bracket in cast iron
- External casing in AISI 304
- Impeller and diffuser in tecnopolymer
- Shaft in AISI 416
- Mechanical seal in carbon/ceramic/NBR

### TECHNICAL DATA

- Asincronous 2 poles motor
- Insulation class F
- Protection degree IP44
- 1~230V ± 10% 50Hz, 3~230/400V ± 10% 50Hz
- Permanent split capacitor and automatic thermal overload protection for single-phase version
- Thermal protection to be provided by the user for three-phase version
- Discharge 1" – Suction 1"¼ for COMPACT B/12 and B/15, 1" for other models

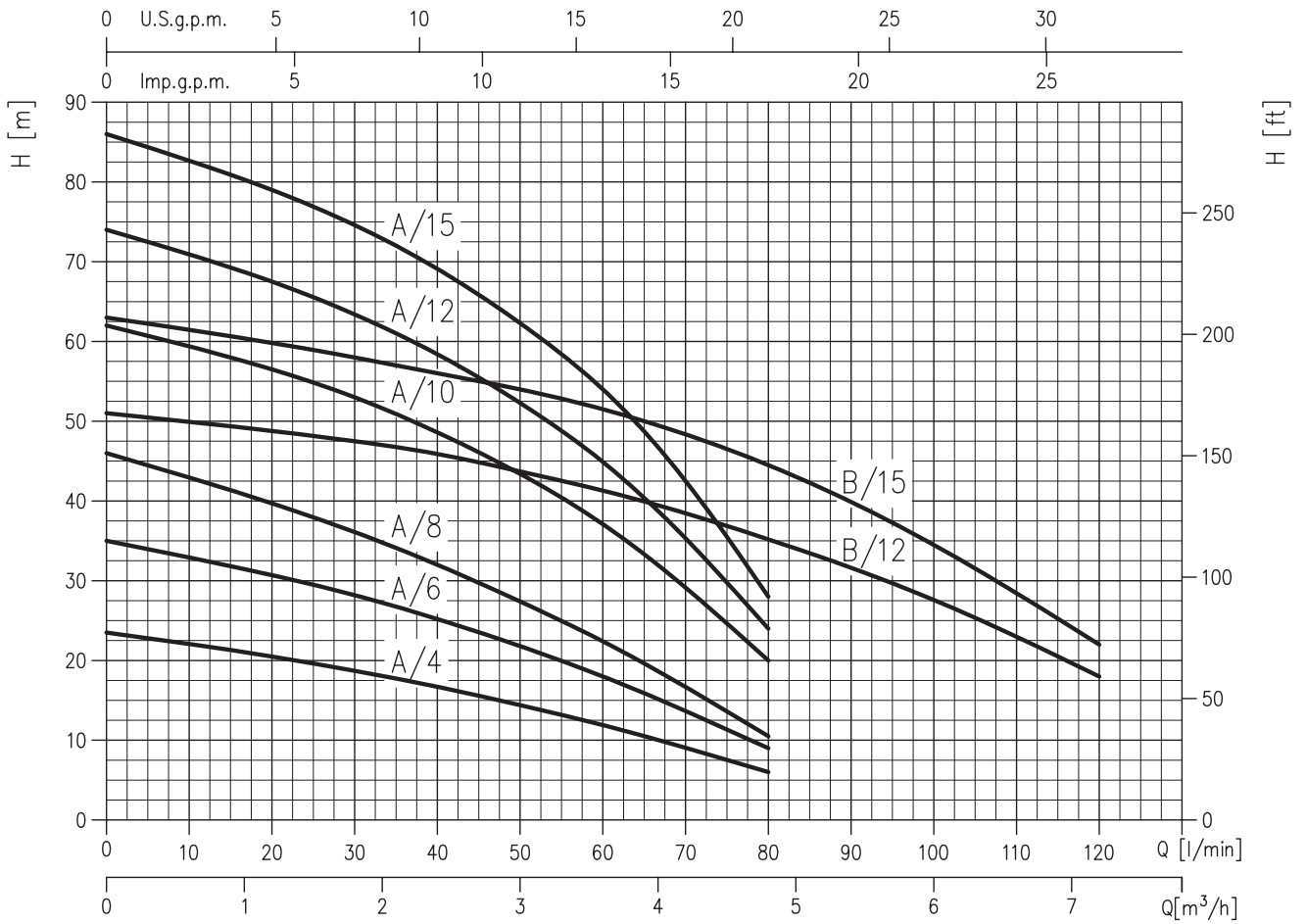


[1] : 3 -  
[2] : 1 -

### DIMENSIONAL TABLE

Pump type		Dimensions (mm)										Weight (kg)	
		A		B	C	D	E	H1	H2	M	R		DNA
Single-phase	Three-phase	1-	3-										
COMPACT AM/4	COMPACT A/4	183,5	159	307,5	82	51,5	120,5	127,5	38,5	62	120,5	G1	8,4
COMPACT AM/6	COMPACT A/6	183,5	159	333,5	108	51,5	146,5	127,5	38,5	62	146,5	G1	9,3
COMPACT AM/8	COMPACT A/8	183,5	159	359,5	134	51,5	172,5	127,5	38,5	62	172,5	G1	10,3
COMPACT AM/10	COMPACT A/10	193,5	169	426	142	69,5	198,5	123,5	42,5	80	180,5	G1	14,5
COMPACT AM/12	COMPACT A/12	193,5	169	452	168	69,5	224,5	123,5	42,5	80	206,5	G1	15,5
COMPACT AM/15	COMPACT A/15	193,5	169	490	194	69,5	250,5	123,5	42,5	80	232,5	G1	16,7
COMPACT BM/12	COMPACT B/12	193,5	169	400	116	69,5	172,5	123,5	42,5	80	154,5	G1 ¼	14,9
COMPACT BM/15	COMPACT B/15	193,5	169	438	142	69,5	198,5	123,5	42,5	80	180,5	G1 ¼	15,9

### PERFORMANCE CURVES (according to ISO 9906 Annex A)



### PERFORMANCE TABLE

Pump type		kW	Capacitor		Absorbed Current (A)			l/min m³/h	Q=Capacity								
Single-phase 230V 50Hz	Three-phase 230/400V 50Hz		µF	V <sub>c</sub>	Single-phase	Three-phase 230V 400V			20	30	40	50		60	80	100	120
								H=Total head									
COMPACT AM/4	COMPACT A/4	0,3	10	450	2,5	1,9	1,1	21	18,7	16,7	14,4	11,9	6	-	-	-	
COMPACT AM/6	COMPACT A/6	0,44	12,5	450	3,0	2,3	1,3	31	28,2	25,2	21,8	18	9	-	-	-	
COMPACT AM/8	COMPACT A/8	0,6	14	450	4,0	2,6	1,5	40	36,1	32	27,4	22,4	10,5	-	-	-	
COMPACT AM/10	COMPACT A/10	0,75	20	450	6,0	4,2	2,4	57	53	48,6	43,4	37,1	20	-	-	-	
COMPACT AM/12	COMPACT A/12	0,9	31,5	450	6,2	4,7	2,7	68	63,4	58,4	52,3	44,9	24	-	-	-	
COMPACT AM/15	COMPACT A/15	1,1	31,5	450	7,3	5,7	3,3	79	74,6	69,1	62,3	54	28	-	-	-	
COMPACT BM/12	COMPACT B/12	0,9	31,5	450	5,8	4,7	2,7	-	47,5	45,9	43,7	41,3	35,2	27,6	18	-	
COMPACT BM/15	COMPACT B/15	1,1	31,5	450	7,3	5,9	3,4	-	58	56	54	51,5	44,5	34,5	22	-	