

GRUNDFOS ALPHA2 L

Circulator pumps
50 Hz



Contents

General data

Circulator pumps	3
Type key	3
Performance range	3
Applications	4
Pumped liquids	4
Control of heating systems	4
Advantages of pump control	5
Construction	5
Sectional drawing	5
Material specification	5
Motor and control box	6
Installation	6
Electrical data	6
Start-up	6
Liquid temperature	7
System pressure	7
Inlet pressure	7
Setting of pump head	7
Factory setting	7
Change of performance	8
Guide to performance curves	9
Product range	10
Curve conditions	10

Technical data

ALPHA2 L 15-40, 25-40, 32-40	11
ALPHA2 L 25-60, 32-60	12

Accessories

Union and valve kits	13
Insulation kits	13
Service kit	13

Further product documentation

WebCAPS	14
WinCAPS	15

Circulator pumps

GRUNDFOS ALPHA2 L is a range of circulator pumps featuring:

- Integrated differential-pressure control enabling adjustment of pump performance to the actual system requirements.
- Motor based on permanent-magnet/compact-rotor technology.

GRUNDFOS ALPHA2 L is energy-optimised and A-labelled.

The energy label A indicates the energy-saving level of the pump. The energy classification system has seven levels, i.e. from A to G. Level A is the best.

The installation of a GRUNDFOS ALPHA2 L pump will reduce the power consumption considerably, reduce noise from thermostatic valves and similar fittings, and improve the control of the system.

GRUNDFOS ALPHA2 L offers a host of advantages:

- Energy savings** Automatic control of the differential pressure.
- Flexibility** Suitable for installation in existing systems.
- Comfort** Low-noise operation.
- Safety** Built-in electrical and thermal protection of the pump.
- Userfriendliness** Simple setting and operation.

Type key

Example	ALPHA2 L 25 - 40 180
Pump range	
Nominal diameter (DN) of suction and discharge ports [mm]	
Maximum head [dm]	
Port-to-port length [mm]	

Performance range

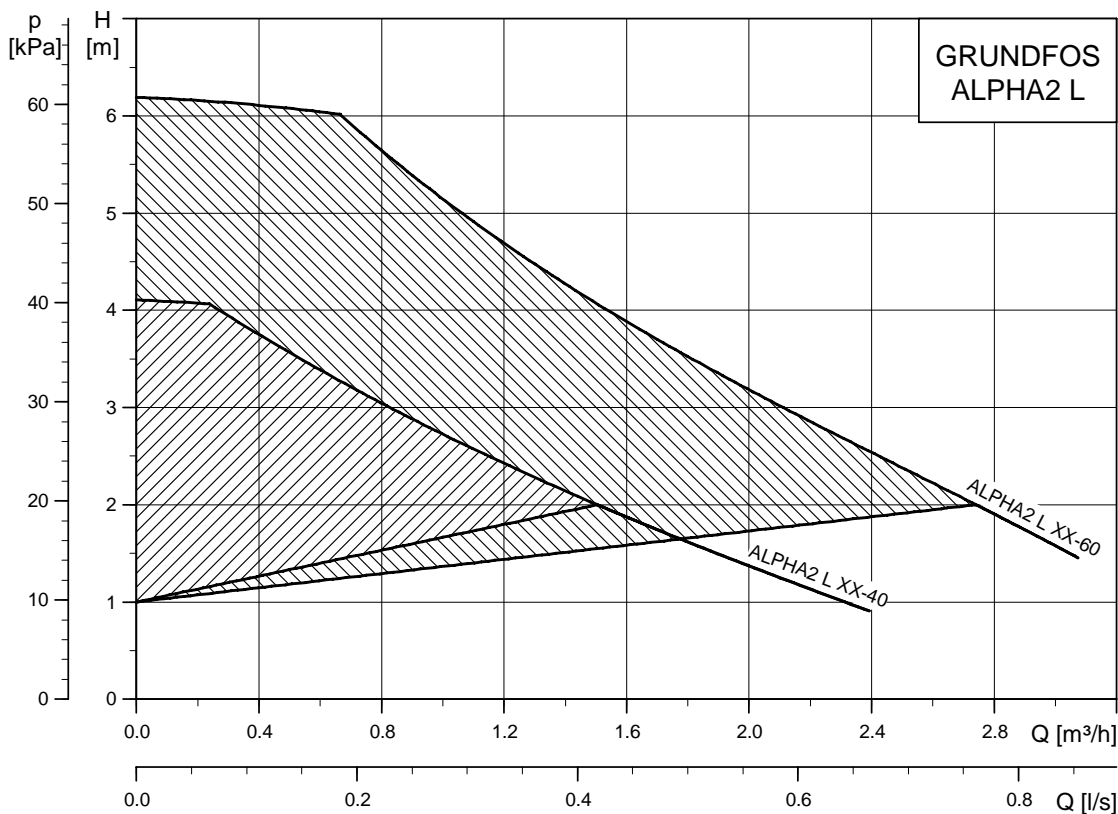


Fig. 1 Performance range, ALPHA2 L

TM04 2856 3208

Applications

GRUNDFOS ALPHA2 L is designed for circulating liquids in heating systems.

GRUNDFOS ALPHA2 L is suitable for

- systems with **constant** or **variable flows** where it is desirable to optimise the pump duty point.
- systems with **variable flow-pipe temperature**.

GRUNDFOS ALPHA2 L is especially suitable for

- installation in existing systems where the differential pressure of the pump is too high during periods of reduced flow demand.
- installation in new systems for automatic adjustment of the performance to flow demands without the use of bypass valves or similar expensive components.

Examples of systems

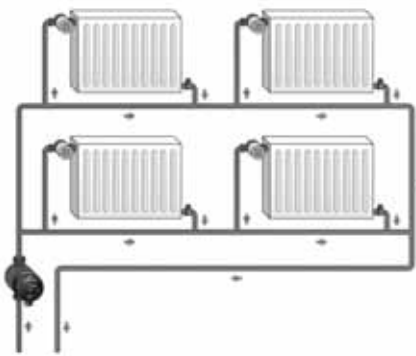


Fig. 2 One-pipe heating system

TM03 3988 4507

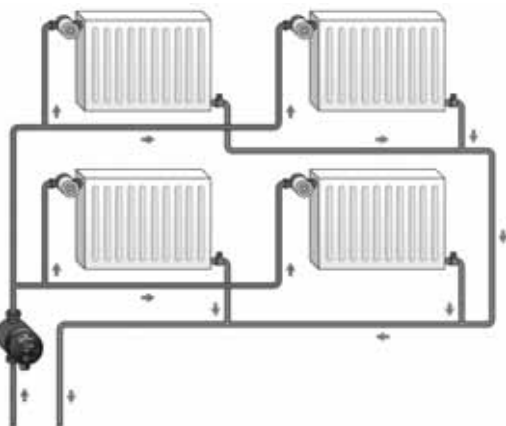
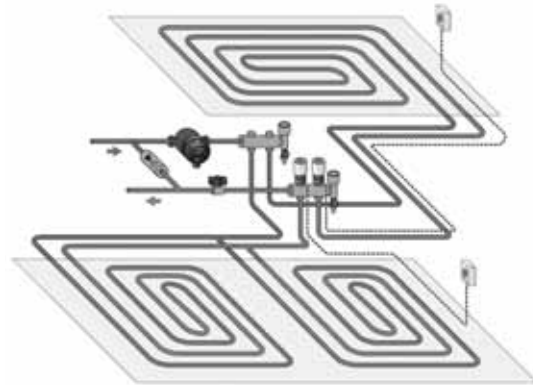


Fig. 3 Two-pipe heating system

TM03 9889 4507



TM03 9890 4507

Fig. 4 Underfloor heating system

Pumped liquids

Clean, thin, non-aggressive and non-explosive liquids, not containing solid particles, fibres or mineral oil.

The pump must not be used for the transfer of flammable liquids such as diesel oil, petrol and similar liquids.

Control of heating systems

The heating required in a building varies greatly during the day due to changing outdoor temperatures, solar radiation and heat emanating from human beings, electric appliances, etc.

Add to this that the need for heating may vary from one section of the building to another and that the thermostatic valves of some radiators may be turned down by the users.

These circumstances will cause an uncontrolled pump to produce a too high differential pressure when the heating demand is low.

Possible consequences:

- too high energy consumption
- irregular control of the system
- noise in thermostatic valves and similar fittings.

GRUNDFOS ALPHA2 L automatically controls the differential pressure by adjusting the pump performance to the actual heating demand, without the use of external components.

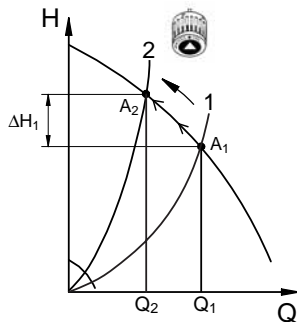
Advantages of pump control

In GRUNDFOS ALPHA2 L, control is effected by adapting the differential pressure to the flow (proportional- and constant-pressure control).

Contrary to an uncontrolled pump, the proportional-pressure-controlled GRUNDFOS ALPHA2 L reduces the differential pressure as a result of falling heating demand.

If the heating demand falls - for instance due to solar radiation - the radiator valves will close, and, for the uncontrolled pump, the flow resistance of the system will rise for instance from A_1 to A_2 .

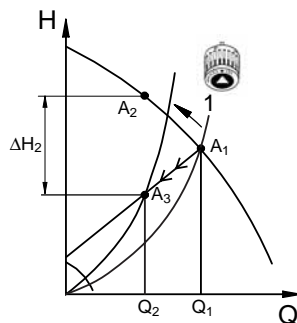
In a heating system with an uncontrolled pump, this situation will cause a pressure rise in the system by ΔH_1 .



TM01 9119 5002

Fig. 5 Uncontrolled pump

In a system with a GRUNDFOS ALPHA2 L pump, the pressure will be reduced by ΔH_2 .



TM01 9120 5002

Fig. 6 Pump in proportional-pressure control mode

In a system with an uncontrolled pump, a pressure rise will often cause flow-generated noise in the thermostatic valves. This noise will be reduced considerably with the GRUNDFOS ALPHA2 L.

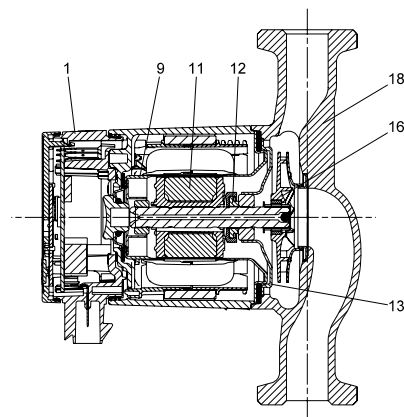
Construction

GRUNDFOS ALPHA2 L is of the canned-rotor type, i.e. pump and motor form an integral unit without shaft seal and with only two gaskets for sealing. The bearings are lubricated by the pumped liquid.

The pump is characterised by

- integrated proportional-pressure control
- integrated constant-pressure control
- three fixed-speed curves
- frequency converter
- permanent-magnet/compact-stator motor
- ceramic shaft and radial bearings
- carbon thrust bearing
- stainless-steel rotor can, bearing plate and rotor cladding
- composite impeller
- cast-iron pump housing
- compact design featuring pump head with integrated control box and control panel.

Sectional drawing



TM03 9728 4307

Fig. 7 Position numbers

Material specification

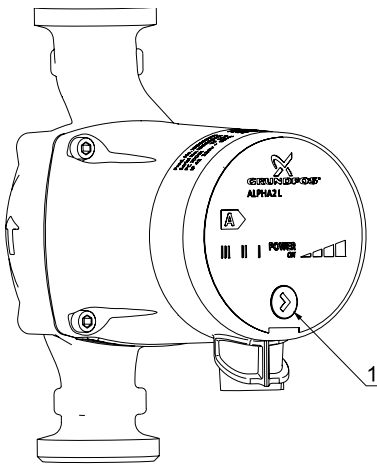
Pos.	Description	Material	EN/DIN W.-Nr.	AISI/ASTM
1	Controller complete	Composite, PC		
9	Rotor can	Stainless steel	1.4301	304
	Radial bearing	Ceramics		
11	Shaft	Ceramics		
	Rotor cladding	Stainless steel	1.4301	304
	Thrust bearing	Carbon		
12	Thrust bearing retainer	EPDM rubber		
13	Bearing plate	Stainless steel	1.4301	304
16	Impeller	Composite, PP or PES		
18	Pump housing	Cast iron	EN-JL 1020	A48-25
	Gaskets	EPDM rubber		

Motor and control box

The motor is a 4-pole synchronous permanent-magnet motor.

The pump controller is incorporated in the control box, which is fitted to the stator housing with two screws and connected to the stator via a terminal plug.

The control panel is placed on the front. It has one push-button and 7 light fields for indication of the pump setting, see fig. 8. The "POWER ON" light field indicates that the mains supply has been switched on.



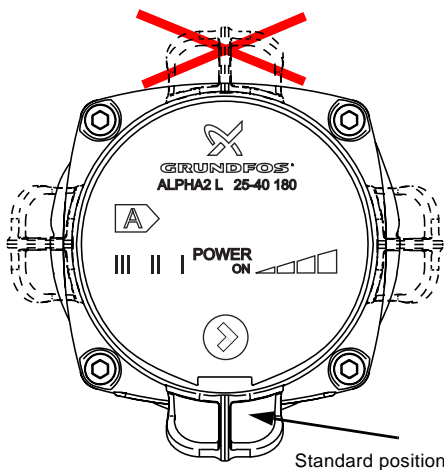
TM04 2539 2608

Fig. 8 Push-button position

- Push-button (pos. 1) for selection of control mode. The light in the display is on when the electricity supply has been switched on. During operation, the light field of the chosen control mode is lit.

When the "POWER ON" indicator light is on only, a fault preventing the pump from operating properly (e.g. seizing-up) has occurred.

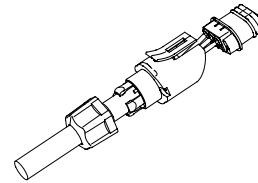
Possible control box positions:



TM04 2538 2608

Fig. 9 Control box positions

The cable entry incorporates cable relief.



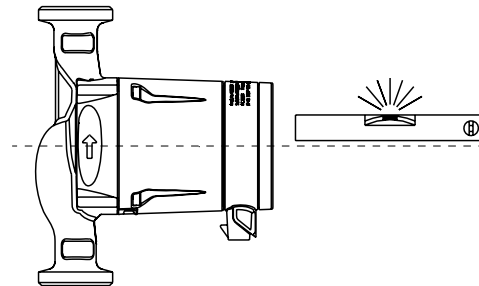
TM01 9184 1400

Fig. 10 Cable entry with cable relief

Installation

In most cases, the installation of the ALPHA2 L is reduced to the mechanical installation and the connection to the electricity supply.

The pump must always be installed with horizontal motor shaft.



TM03 8501 1707

Fig. 11 Horizontal motor shaft

Electrical data

Supply voltage	1 x 230 V – 10 %/+ 6 %, 50 Hz, PE
Motor protection	The pump requires no external motor protection.
Enclosure class	IP 42
Insulation class	F
Relative air humidity	Maximum 95 %
Ambient temperature	0 °C to +40 °C
Temperature class	TF110 to CEN 335-2-51
EMC (electromagnetic compatibility)	EN 61000-6-2 and EN 61000-6-3
Sound pressure level	≤43 dB(A)

Start-up

The pump must not be started until the system has been filled with liquid and vented. Furthermore, the required minimum inlet pressure must be available at the pump inlet. The system cannot be vented through the pump.

The pump is self-venting. It need not be vented before start-up.

Liquid temperature

Cast-iron pumps: +2 °C to +110 °C.

To avoid condensation in the control box and stator, the liquid temperature must always be higher than the ambient temperature. See table.

Ambient temperature [°C]	Liquid temperature	
	Min. [°C]	Max. [°C]
0	2	110
10	10	110
20	20	110
30	30	110
35	35	90
40	40	70

System pressure

PN 10: Maximum 1.0 MPa (10 bar).

Inlet pressure

To avoid cavitation noise and damage to the pump, the following minimum pressures are required at the pump suction port.

Liquid temperature		
75 °C	90 °C	110 °C
0.5 m head	2.8 m head	10.8 m head

Setting of pump head

With the push-button on the control box, the electronically controlled pump can be set to the following:

- two constant-pressure curves
- two proportional-pressure curves
- three fixed-speed curves.

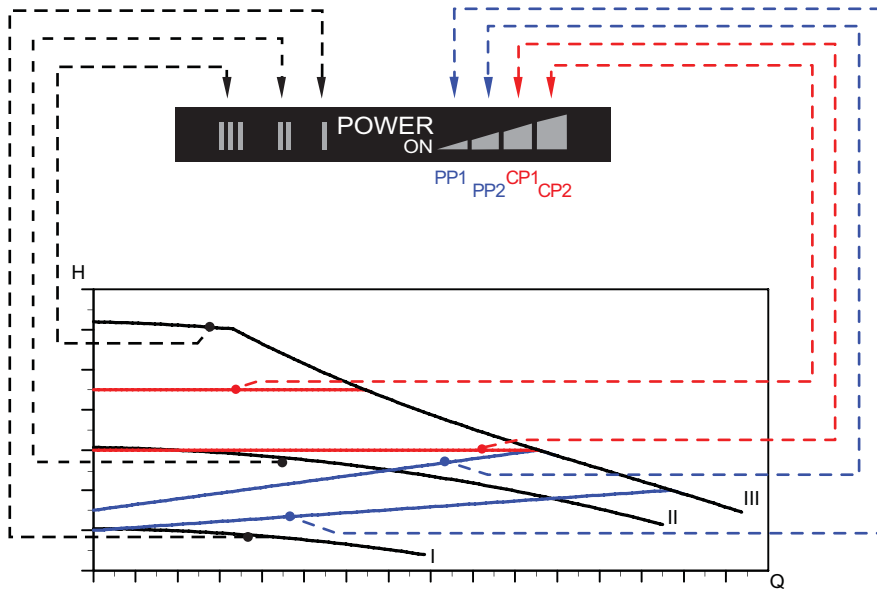
Factory setting

The ALPHA2 L pump is factory-set to start on the proportional-pressure curve (PP2) fig. 12.

This setting is suitable for a large majority of all single-family houses.

Change of performance

The pump performance (flow and head) can be changed by pressing the control box push-button as indicated in the table below and fig. 12.



TM04 2532 2608

Fig. 12 Pump setting in relation to performance

Setting	Pump curve	Function
PP1	Lowest proportional-pressure curve	The duty point of the pump will move up or down on the lowest proportional-pressure curve, see fig. 12, depending on the heat demand. The head (pressure) is reduced at falling heat demand and increased at rising heat demand.
PP2	Highest proportional-pressure curve	The duty point of the pump will move up or down on the highest proportional-pressure curve, see fig. 12, depending on the heat demand. The head (pressure) is reduced at falling heat demand and increased at rising heat demand.
CP1	Lowest constant-pressure curve	The duty point of the pump will move out or in on the lowest constant-pressure curve, see fig. 12, depending on the heat demand in the system. The head (pressure) is kept constant, irrespective of the heat demand.
CP2	Highest constant-pressure curve	The duty point of the pump will move out or in on the highest constant-pressure curve, see fig. 12, depending on the heat demand in the system. The head (pressure) is kept constant, irrespective of the heat demand.
III	Speed III	ALPHA2 L runs at a constant speed and consequently on a constant curve. In speed III, the pump is set to run on the max. curve under all operating conditions. See fig. 12. Quick venting of the pump can be obtained by setting the pump to speed III for a short period.
II	Speed II	ALPHA2 L runs at a constant speed and consequently on a constant curve. In speed II, the pump is set to run on the medium curve under all operating conditions. See fig. 12.
I	Speed I	ALPHA2 L runs at a constant speed and consequently on a constant curve. In speed I, the pump is set to run on the min. curve under all operating conditions. See fig. 12.

Guide to performance curves

Each pump setting has its own performance curve (Q/H curve).

A power curve (P1 curve) belongs to each Q/H curve. The power curve shows the pump power consumption (P1) in Watt at a given Q/H curve.

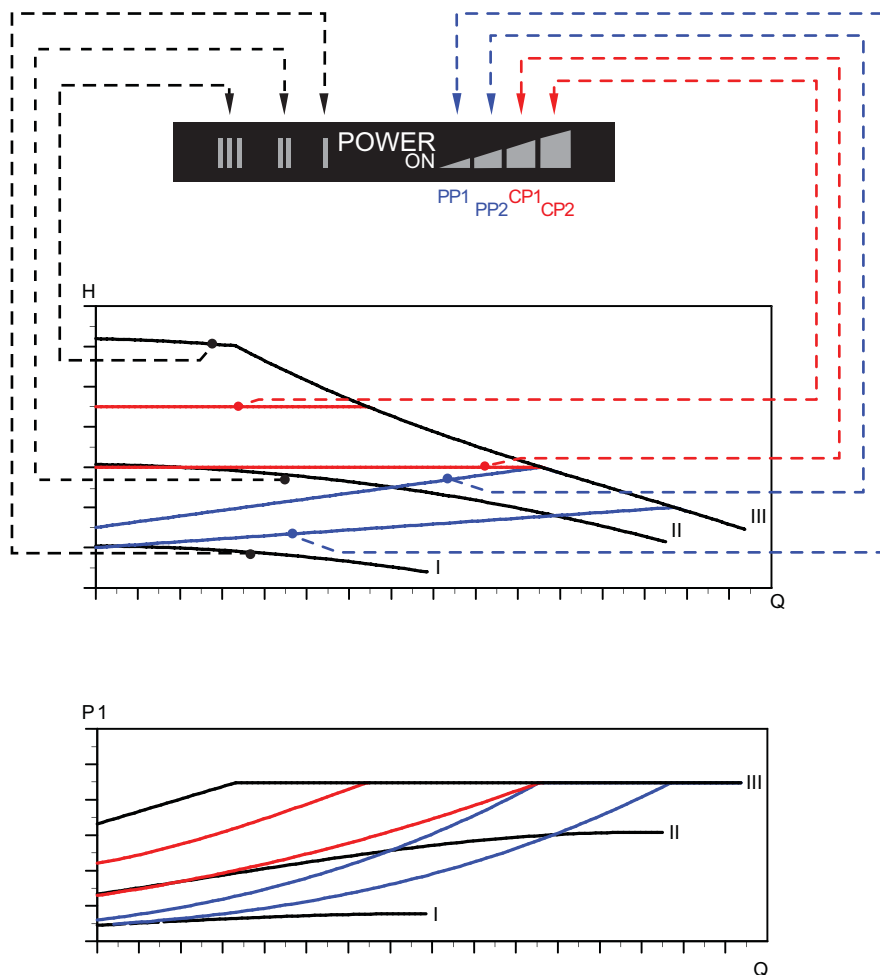


Fig. 13 Performance curves in relation to pump setting

Setting	Pump curve
PP1	Lowest proportional-pressure curve
PP2	Highest proportional-pressure curve
CP1	Lowest constant-pressure curve
CP2	Highest constant-pressure curve
III	Constant speed, speed III
II	Constant speed, speed II
I	Constant speed, speed I

TM04 2534 2608

Product range

Pump type	Port-to-port length [mm]	Connection	Voltage [V] 50 Hz	Product number	Data sheet
ALPHA2 L 15-40	130	G 1	230	95047560	page 11
ALPHA2 L 25-40		G 1 1/2		95047561	
ALPHA2 L 25-40	180	G 2		95047562	page 11
ALPHA2 L 32-40		G 1 1/2		95047563	
ALPHA2 L 25-60	130	G 1 1/2		95047564	page 12
ALPHA2 L 25-60		G 2		95047564	page 12
ALPHA2 L 32-60		G 2	95047566		

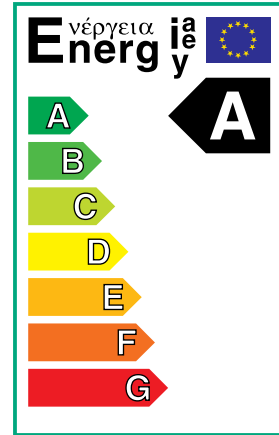
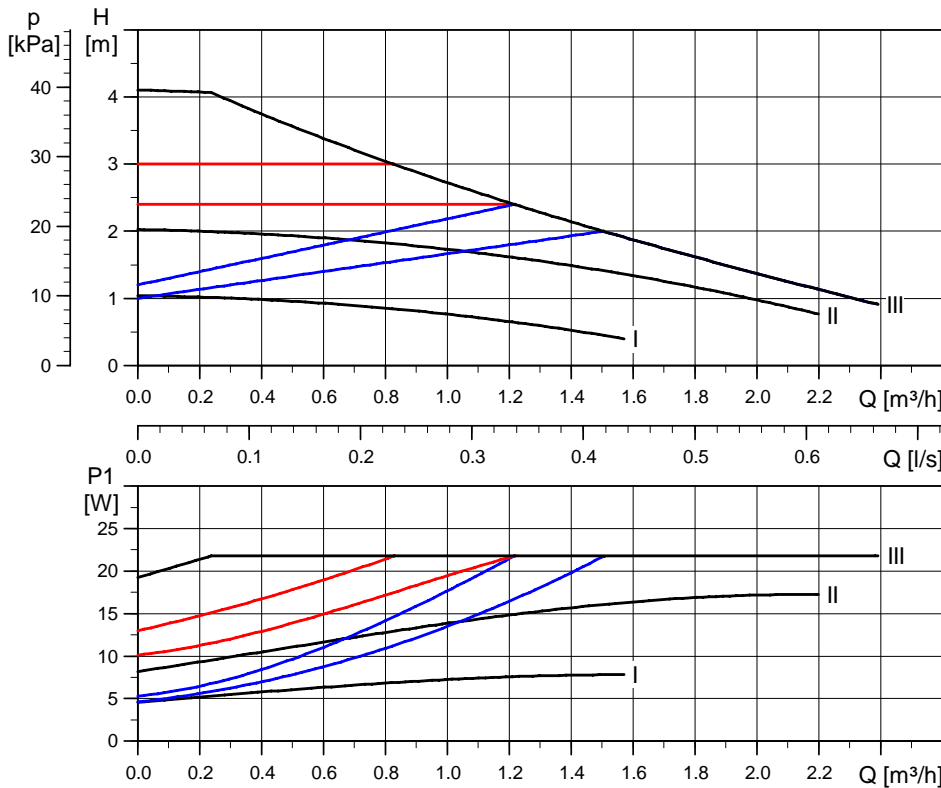
Curve conditions

The guidelines below apply to the performance curves on the next pages:

- Test liquid: airless water.
- The curves apply to a density of $\rho = 983.2 \text{ kg/m}^3$ and a liquid temperature of $+60 \text{ }^\circ\text{C}$.
- All curves show average values and **should not be used as guarantee curves**. If a specific minimum performance is required, individual measurements must be made.
- The curves for the speeds I, II and III are marked.
- The curves apply to a kinematic viscosity of $\nu = 0.474 \text{ mm}^2/\text{s}$ (0.474 cSt).
- The conversion between head H [m] and pressure p [kPa] has been made for water with a density of $\rho = 1000 \text{ kg/m}^3$. For liquids with other densities, e.g. hot water, the discharge pressure is proportional to the density.

ALPHA2 L 15-40, 25-40, 32-40

1 x 230 V, 50 Hz

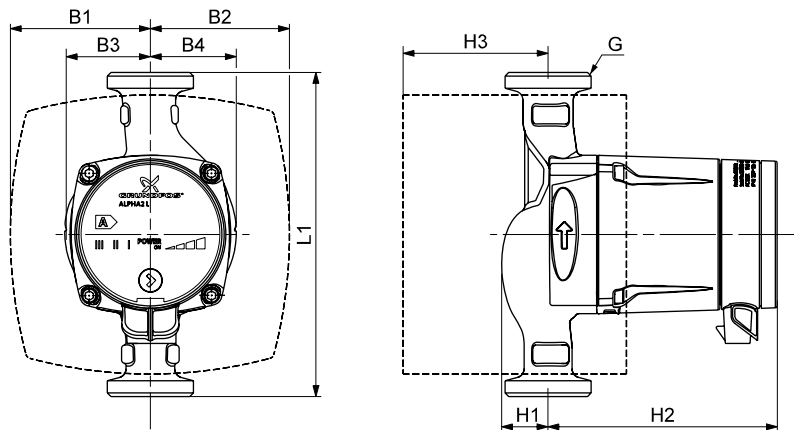


TM04 2110 2008 - TM03 0868 0705

Speed	P ₁ [W]	I _{1/I1} [A]
Min.	5	0.05
Max.	22	0.19

Connections: See "Union and valve kits" on page 13.
 System pressure: Max. 1.0 MPa (10 bar).
 Liquid temperature: +2 °C to +110 °C (TF 110).

The pump incorporates overload protection.

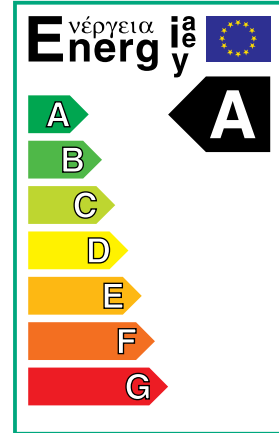
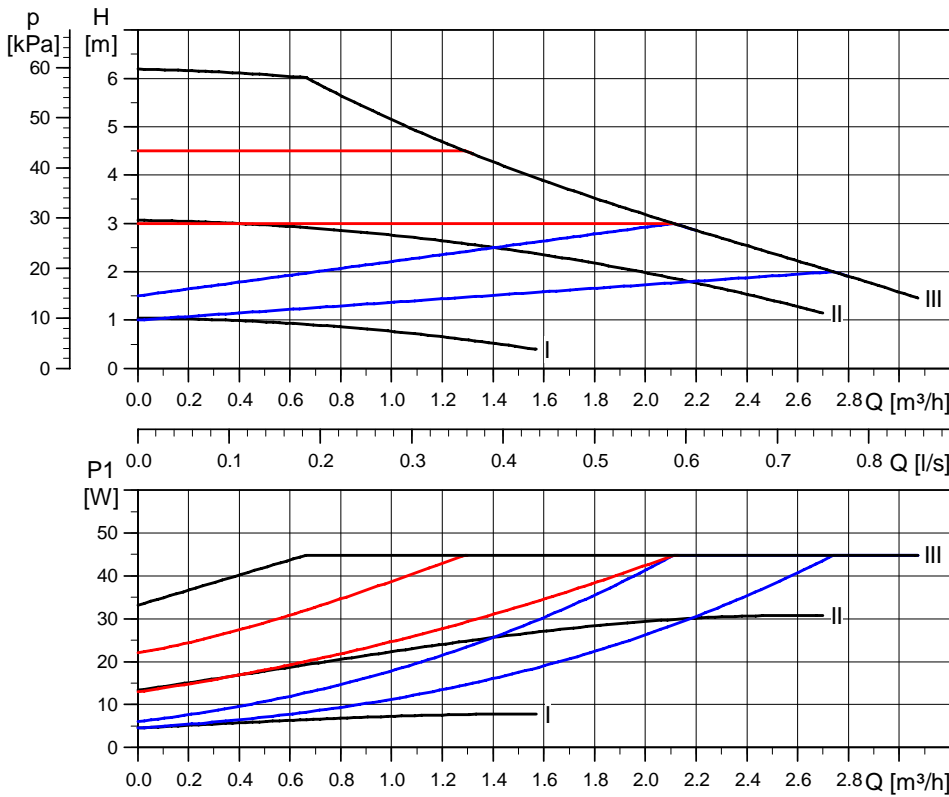


TM04 2533 2608

Pump type	Dimensions [mm]									Weights [kg]		Ship. vol. [m ³]
	L1	B1	B2	B3	B4	H1	H2	H3	G	Net	Gross	
ALPHA2 L 15-40	130	77	78	46	49	27	129	79	1	1.9	2.1	0.00383
ALPHA2 L 25-40	130	77	78	46	49	27	129	79	1 1/2	1.9	2.1	0.00383
ALPHA2 L 25-40	180	78	77	47	48	26	127	81	1 1/2	2.1	2.3	0.00383
ALPHA2 L 32-40	180	78	77	47	48	26	127	81	2	2.1	2.3	0.00383

ALPHA2 L 25-60, 32-60

1 x 230 V, 50 Hz

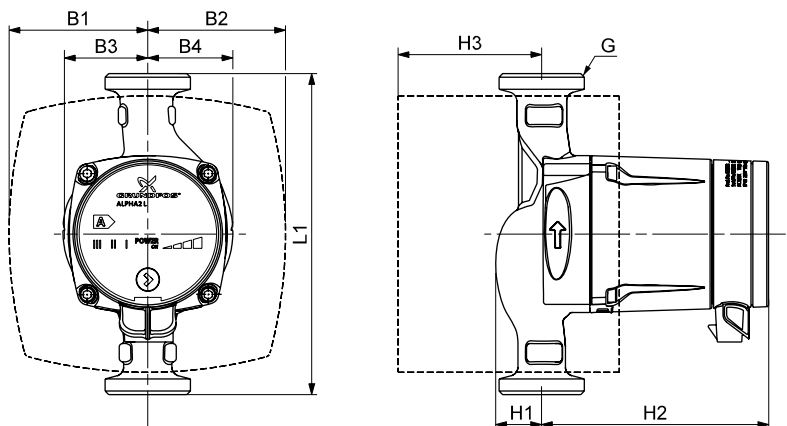


TM04 2108 2008 - TM03 0868 0705

Speed	P ₁ [W]	I _{1/1} [A]
Min.	5	0.05
Max.	45	0.38

Connections: See "Union and valve kits" on page 13.
 System pressure: Max. 10 bar.
 Liquid temperature: +2 °C to +110 °C (TF 110).

The pump incorporates overload protection.



TM04 2533 2608

Pump type	Dimensions [mm]									Weights [kg]		Ship. vol. [m³]
	L1	B1	B2	B3	B4	H1	H2	H3	G	Net	Gross	
ALPHA2 L 25-60	130	77	78	46	49	27	129	79	1 1/2	1.9	2.1	0.00383
ALPHA2 L 25-60	180	78	77	47	48	26	127	81	1 1/2	2.1	2.3	0.00383
ALPHA2 L 32-60	180	78	77	47	48	26	127	81	2	2.1	2.3	0.00383

Union and valve kits

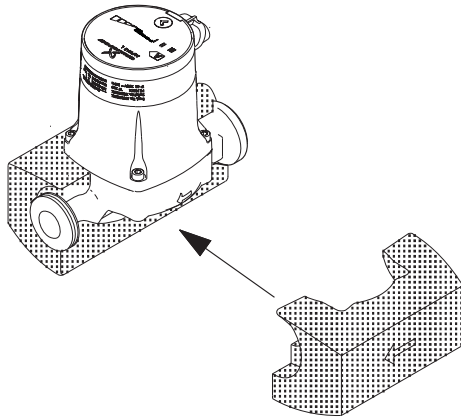
Pump type	Description	Material	Product number
ALPHA2 L 25-40, 25-60	3/4" unions	Cast iron	529921
	1" unions	Cast iron	529922
ALPHA2 L 32-40, 32-60	1" unions	Cast iron	509921
	1 1/4" unions	Cast iron	509922

Insulation kits

GRUNDFOS ALPHA2 L can be fitted with two insulating shells.

The insulation thickness of the insulating shells corresponds to the nominal diameter of the pump.

The insulation kit, which is tailored to the individual pump type, encloses the entire pump housing. The two shells are easily fitted around the pump.

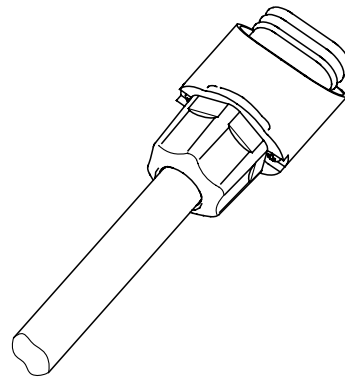


TM042806 3208

Fig. 14 Insulating shells

Pump type	Product number
ALPHA2 L 15-40, 25-40, 32-40, 25-60, 32-60	505821

Service kit

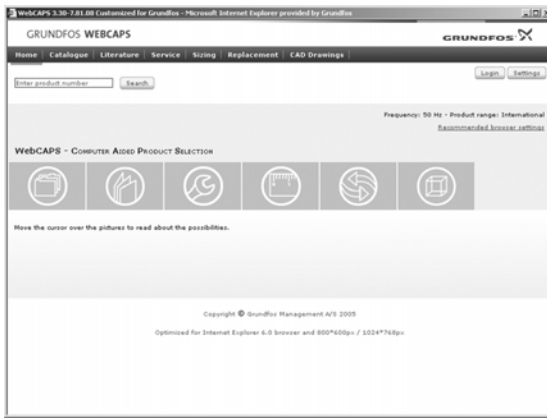


TM01 9911 3400

Fig. 15 Plug

Description	Product number
Plug	595562

WebCAPS

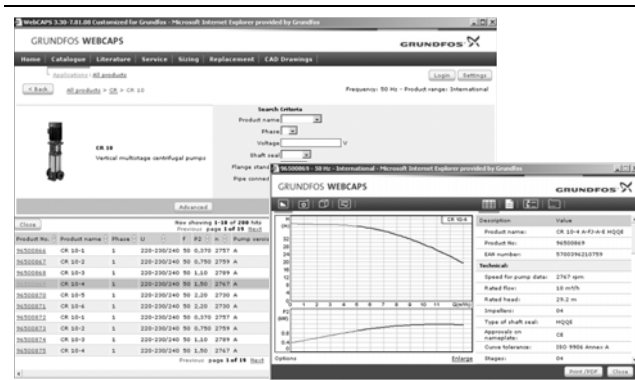


WebCAPS is a **Web**-based **Computer Aided Product Selection** program available on www.grundfos.com.

WebCAPS contains detailed information on more than 185,000 Grundfos products in more than 20 languages.

In WebCAPS, all information is divided into 6 sections:

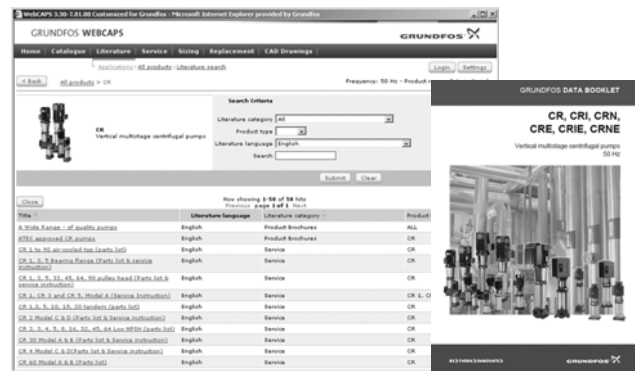
- Catalogue
- Literature
- Service
- Sizing
- Replacement
- CAD drawings.



Catalogue

With a starting point in areas of applications and pump types, this section contains

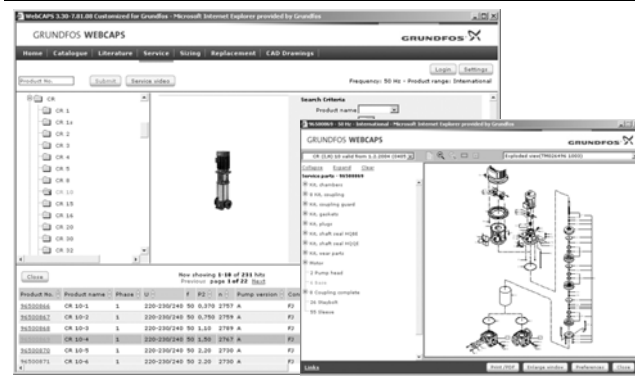
- technical data
- curves (QH, Eta, P1, P2, etc) which can be adapted to the density and viscosity of the pumped liquid and show the number of pumps in operation
- product photos
- dimensional drawings
- wiring diagrams
- quotation texts, etc.



Literature

In this section you can access all the latest documents of a given pump, such as

- data booklets
- Installation and operating instructions
- service documentation, such as Service kit catalogue and Service kit instructions
- quick guides
- product brochures, etc.



Service

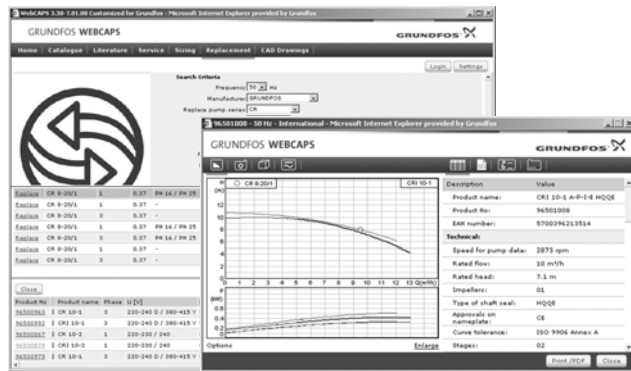
This section contains an easy-to-use interactive service catalogue. Here you can find and identify service parts of both existing and cancelled Grundfos pumps. Furthermore, this section contains service videos showing you how to replace service parts.



Sizing

With a starting point in different application areas and installation examples, this section gives easy step-by-step instructions in how to

- select the most suitable and efficient pump for your installation
- carry out advanced calculations based on energy consumption, payback periods, load profiles, lifecycle costs, etc.
- analyse your selected pump via the built-in lifecycle cost tool
- determine the flow velocity in wastewater applications, etc.

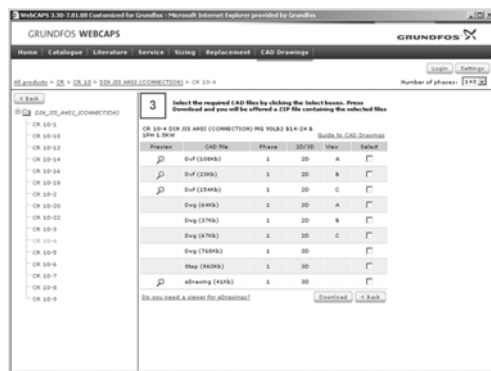


Replacement

In this section you find a guide to select and compare replacement data of an installed pump in order to replace the pump with a more efficient Grundfos pump.

The section contains replacement data of a wide range of pumps produced by other manufacturers than Grundfos.

Based on an easy step-by-step guide, you can compare Grundfos pumps with the one you have installed on your site. After having specified the installed pump, the guide suggests a number of Grundfos pumps which can improve both comfort and efficiency.



CAD drawings

In this section it is possible to download 2-dimensional (2D) and 3-dimensional (3D) CAD drawings of most Grundfos pumps.

The following formats are available in WebCAPS:

2-dimensional drawings

- .dxf, wireframe drawings
- .dwg, wireframe drawings.

3-dimensional drawings

- .dwg, wireframe drawings (without surfaces)
- .stp, solid drawings (with surfaces)
- .eprt, E-drawings.

WinCAPS



Fig. 16 WinCAPS CD-ROM

WinCAPS is a **Windows-based Computer Aided Product Selection** program containing detailed information on more than 185,000 Grundfos products in more than 20 languages.

The program contains the same features and functions as WebCAPS, but is an ideal solution if no Internet connection is available.

WinCAPS is available on CD-ROM and updated once a year.

96860793 0808	GB

Subject to alterations.